



**DEFENSE  
TECHNOLOGY®**

# 37/40MM STINGER® 60-CAL RUBBER BALL SMOKELESS POWDER ROUND

PRODUCT SPECIFICATIONS	
Diameter	1.50 in / 37 mm
Length	4.80 in / 12.2 cm
Projectile Count	18
Velocity	325 fps / 99 mps
Minimum Safe Range	15 ft / 4.6 m
Maximum Effective Range	50 ft / 15.2 m
PROJECTILE SPECIFICATIONS	
Caliber	60
Diameter	0.60 in / 1.5 cm
Material	Rubber
Hardness	60 Durometer (A)
Weight	0.08 oz / 2.5 g
Part No.	6297
Warranty	5 years from date of manufacture

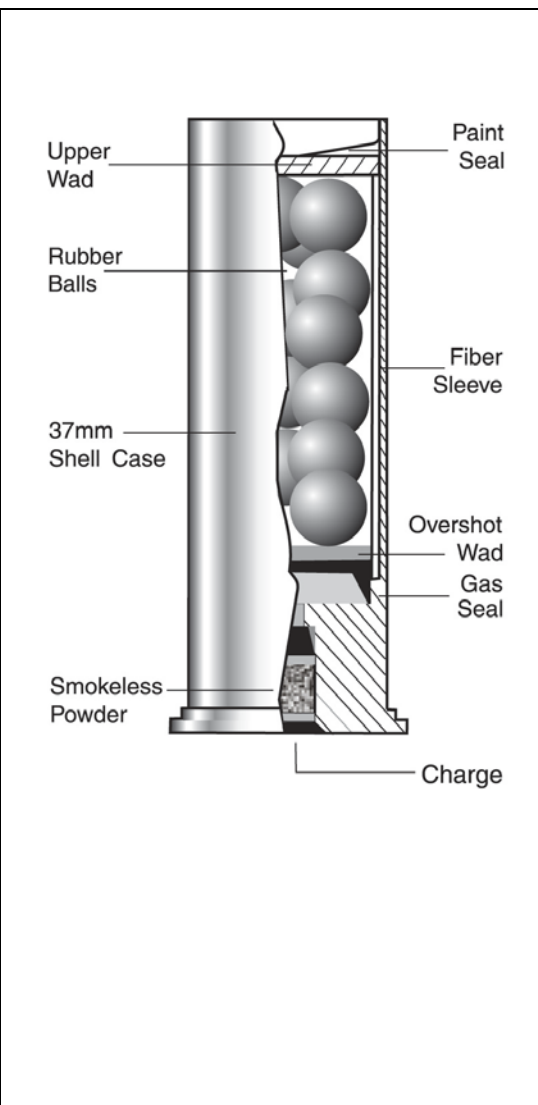
ALL SPECIFICATIONS ARE AVERAGES AND SUBJECT TO CHANGE

The Stinger® 37/40mm 60-Caliber Round incorporates a 4.8-inch casing that contains approximately eighteen (18) rubber balls. This Stinger® 37/40 mm 60-Caliber Round was designed for departments that utilize both 37mm gas guns and 40mm launchers. This allows sharing of ordnance between the two weapon systems. It also differs from its 37mm counterpart in that it utilizes smokeless powder as the propellant and therefore has velocities that are considerably more consistent and have tighter patterns.

The Stinger® 37/40mm, 60-Caliber Round is most widely used as a crowd management tool by Law Enforcement and Corrections. The round is generally deployed in low trajectories or skip fired in the general direction (**non-target specific**) of the intended targets. It is suitable for administering a means of pain compliance over a greater distance than its counterpart, the Stinger® 32 Cal. Round. Like the Stinger® 32 Cal., the Stinger® 60 Cal. Round is not well suited as a dynamic, high-energy single subject round for the purposes of incapacitation.

The Stinger® 37/40mm, 60-Caliber Round is intended to be skip or direct fired at the discretion of the operator, but it is necessary to keep the trajectory low so the projectile spread will not engage the subject above the breast line. When used in this manner, the operator should be adequately trained in the use of Less Lethal Impact Munitions and have a thorough understanding of the round and considerations of selecting shot placement such as level of threat, target distance, size, and clothing.

As a pain compliance round for crowd control, it is most suitable at close to moderate ranges of fire, approximately 15 to 40 feet. This round provides significantly more energy than its counterpart, the Stinger® 32 Cal. It is ideal for lower threat levels such as non-compliant crowd prior to the use of more dynamic munitions.



**WARNING**

This product can expose you to chemicals including Lead Salts and Hexavalent Chromium, which are known to the State of California to cause cancer, and Lead Salts, which are known to the State of California to cause birth defects or other reproductive harm. For more information, go to [www.P65Warnings.ca.gov](http://www.P65Warnings.ca.gov).

WARNING: THIS PRODUCT IS TO BE USED ONLY BY AUTHORIZED AND TRAINED LAW ENFORCEMENT, CORRECTIONS, OR MILITARY PERSONNEL. THIS PRODUCT MAY CAUSE SERIOUS INJURY OR DEATH TO YOU OR OTHERS. THIS PRODUCT MAY CAUSE SERIOUS DAMAGE TO PROPERTY. HANDLE, STORE AND USE WITH EXTREME CARE AND CAUTION. USE ONLY AS INSTRUCTED.

