



**DEFENSE
TECHNOLOGY®**

40MM BEAN BAG SMOKELESS POWDER ROUND

PRODUCT SPECIFICATIONS	
Diameter	1.60 in / 40 mm
Length	4.80 in / 12.2 cm
Projectile Count	1
Velocity	220 fps / 67 mps
Minimum Safe Range	20 ft / 6.1 m
Maximum Effective Range	66 ft / 20 m
PROJECTILE SPECIFICATIONS	
Material	Bagged Silica Sand
Height	3.75 in / 9.53 cm
Diameter	1.2 in / 3.0 cm
Weight	2.65 oz / 75 g
Part No.	6025
Warranty	5 years from date of manufacture

ALL SPECIFICATIONS ARE AVERAGES AND SUBJECT TO CHANGE

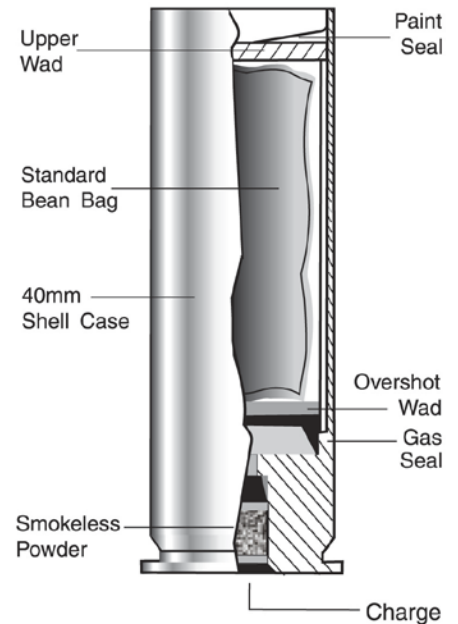
The 40mm Bean Bag Round incorporates a 4.8-inch casing that contains one (1) silica and sand-filled bag. The 40mm utilizes smokeless powder and therefore has more consistent velocities than its black powder counterpart.

The 40mm Bean Bag Round is most widely used as a crowd management tool by Law Enforcement and Corrections when there is a need to target individual instigators. It has also been successfully used as a dynamic, high-energy single subject round for incapacitation or distraction.

The 40mm Bean Bag Round is intended to be direct fired. The operator should be adequately trained in the use of Less Lethal Impact Munitions and have a thorough understanding of the round and consideration for selecting shot placement such as level of threat, target distance, size, and clothing.

As a pain compliance round for crowd control, the 40mm Bean Bag Round is most suitable in moderately close to medium ranges of fire, approximately 20 to 35 feet. Outside of 35 feet, the round by nature of its design may not provide the necessary accuracy or energy to be used as a target specific round. It serves well in correctional and jail facilities where engagement distance may be limited by walls or barriers. It may also prove valuable in riot situations where police lines and protestors are in close proximity.

The smokeless propellant utilized in the 40mm Bean Bag Round results in less smoke and may be more suitable for indoor close range encounters than its counterpart utilizing black powder.



⚠ WARNING

This product can expose you to chemicals including Lead Salts and Hexavalent Chromium, which are known to the State of California to cause cancer, and Lead Salts, which are known to the State of California to cause birth defects or other reproductive harm. For more information, go to www.P65Warnings.ca.gov.



WARNING: THIS PRODUCT IS TO BE USED ONLY BY AUTHORIZED AND TRAINED LAW ENFORCEMENT, CORRECTIONS, OR MILITARY PERSONNEL. THIS PRODUCT MAY CAUSE SERIOUS INJURY OR DEATH TO YOU OR OTHERS. THIS PRODUCT MAY CAUSE SERIOUS DAMAGE TO PROPERTY. HANDLE, STORE AND USE WITH EXTREME CARE AND CAUTION. USE ONLY AS INSTRUCTED.