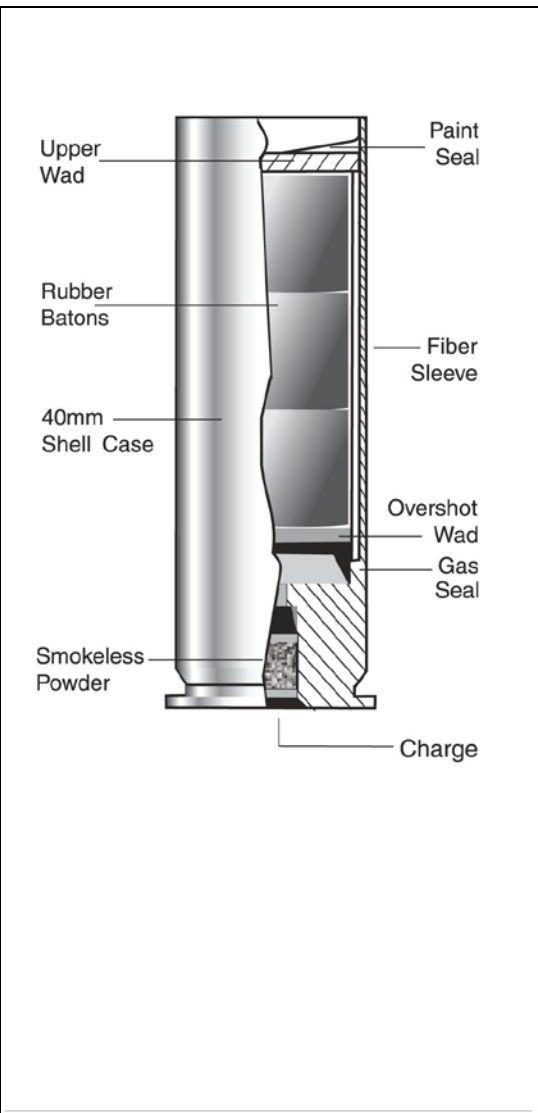


**40MM RUBBER BATON  
SMOKELESS POWDER ROUND**

PRODUCT SPECIFICATIONS	
Diameter	1.60 in / 40 mm
Length	4.80 in / 12.2 cm
Projectile Count	3
Velocity	260 fps / 79 mps
Minimum Safe Range	30 ft / 9.1 m skip fired
Maximum Effective Range	60 ft / 18.3 m skip fired
PROJECTILE SPECIFICATIONS	
Material	Rubber
Height	1.00 in / 2.54 cm
Diameter	1.40 in / 3.55 cm
Weight	1.10 oz / 30.8 g
Part No.	6064
Warranty	5 years from date of manufacture
<b>ALL SPECIFICATIONS ARE AVERAGES AND SUBJECT TO CHANGE</b>	
<p>The 40mm Rubber Baton incorporates a 4.8-inch casing that contains three (3) rubber projectiles. The 40mm utilizes smokeless powder as the propellant, therefore has more consistent velocities and tighter projectile spreads than its black powder counterpart.</p> <p>The 40mm Rubber Baton Round is most widely used as a crowd management tool by Law Enforcement and Corrections. The 40mm Rubber Baton Round is generally deployed in low trajectories or skip fired in the general direction (<b>non-target specific</b>) of the intended targets, administering a means of pain compliance over greater distances than most of its counterparts.</p> <p>The 40mm Rubber Baton Round is intended to be skip fired, but may be direct fired at the discretion of the operator. When used in either manner, the operator should be adequately trained in the use of Less Lethal Impact Munitions and have a thorough understanding of the round and considerations of selecting shot placement such as level of threat, target distance, size, and clothing.</p> <p>As a pain compliance round for crowd control, it is most suitable at medium to extended ranges of fire, approximately 30 to 60 feet. Inside of 30 feet, this round may result in minor injuries. It is ideal for correctional facilities where multiple impacts from greater stand-off distances may be desired for countering yard disturbances.</p> <p>The 40mm Rubber Baton Round is not recommended to be used as dynamic direct fire, single subject, high energy round due to the density, weight, and velocity of the projectiles. The close deployment ranges usually necessary for the appropriate transfer of energy in single subject acquisition would likely result in serious injury or death.</p> <p>The smokeless propellant utilized in the 40mm Rubber Baton round results in less smoke and may be more suitable for indoor operations than its counterpart utilizing black powder.</p>	



**⚠ WARNING**

This product can expose you to chemicals including Lead Salts and Hexavalent Chromium, which are known to the State of California to cause cancer, and Lead Salts, which are known to the State of California to cause birth defects or other reproductive harm. For more information, go to [www.P65Warnings.ca.gov](http://www.P65Warnings.ca.gov).

**WARNING: THIS PRODUCT IS TO BE USED ONLY BY AUTHORIZED AND TRAINED LAW ENFORCEMENT, CORRECTIONS, OR MILITARY PERSONNEL. THIS PRODUCT MAY CAUSE SERIOUS INJURY OR DEATH TO YOU OR OTHERS. THIS PRODUCT MAY CAUSE SERIOUS DAMAGE TO PROPERTY. HANDLE, STORE AND USE WITH EXTREME CARE AND CAUTION. USE ONLY AS INSTRUCTED.**

