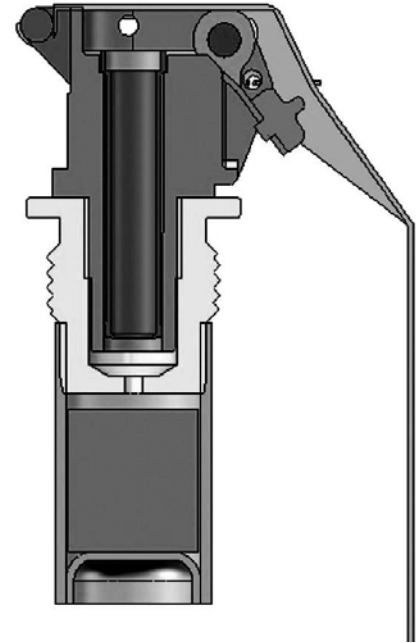




**DEFENSE
TECHNOLOGY®**

DISTRACTION DEVICE® RELOAD 4-GRAM

PRODUCT SPECIFICATIONS	
Reload	Brass Collar w/ cardboard tube
Diameter	0.78 in / 1.98 cm
Length	2.95 in / 7.49 cm
Canister	To be used with reloadable bodies
Fuze	M201A1 Type
Explosive Content	Flash Powder - 0.14 oz / 4 grams
Sound Level	Less than 175 dB at 5' (1.5m)
Light Level	Less than 6 – 8 million Candelas
Light Duration	9 ± 5 milliseconds
Part No.	7007 7007-HH
Warranty	5 years from date of manufacture



ALL SPECIFICATIONS ARE AVERAGES AND SUBJECT TO CHANGE

The 4-Gram Distraction Device® reload incorporates an M201A1 type fuze that was designed for use with the Distraction Device® reloadable steel body. The 4-Gram reloads are only to be used when properly inserted and tightened into the Distraction Device® body. Do not discharge the reload without the use of the body. The Distraction Device® unit should only be deployed in areas that have been visually observed to be clear of potential hazards. The 4-Gram reload has a charge tube diameter of 0.78, and an overall length of 2.95 in. The device produces a medium report and flash.

A modified version of the 4-Gram Distraction Device reload is available for use in high humidity environments that incorporates a water resistant charge tube. These products are designated by 'HH' after the part number. The standard render safe practice involving 24 hour water submersion will no longer be effective for the high humidity devices, please consult the render safe procedure for incineration in the instructions.

⚠ WARNING

This product can expose you to chemicals including Lead Salts and Hexavalent Chromium, which are known to the State of California to cause cancer, and Lead Salts, which are known to the State of California to cause birth defects or other reproductive harm. For more information, go to www.P65Warnings.ca.gov.



WARNING: TO BE USED BY TRAINED LAW ENFORCEMENT, CORRECTIONAL OR MILITARY PERSONNEL WHO HAVE SUCCESSFULLY COMPLETED A TRAINING PROGRAM FOR THE DEPLOYMENT OF DISTRACTION DEVICE® UNITS. IMPROPER USE OF THE DISTRACTION DEVICE® UNIT CAN RESULT IN DEATH OR SERIOUS BODILY INJURY.