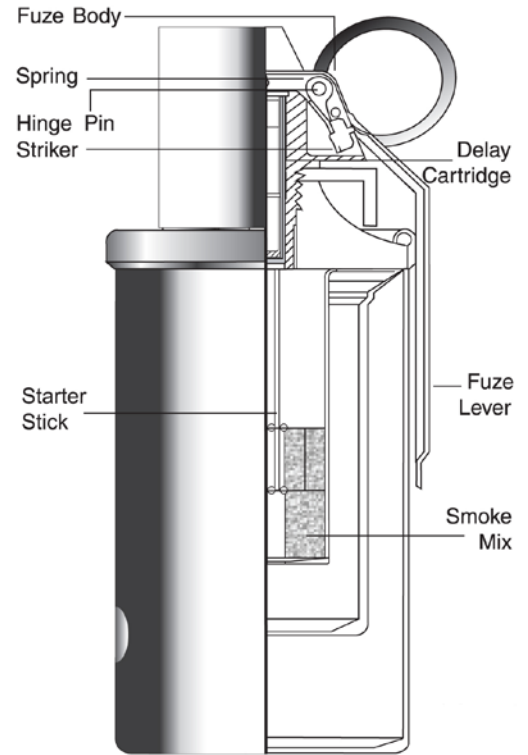




**DEFENSE
TECHNOLOGY®**

TRI-CHAMBER FLAMELESS GRENADE OC, CN, CS AND SAF-SMOKE™

PRODUCT SPECIFICATIONS	
Diameter	2.62 in / 6.7 cm
Length	6.62 in / 16.8 cm
Fuze	M201A1 Type
Active Agent	OC 0.26 oz / 7.5 g CN/CS 0.70 oz / 20 g
Discharge Time	20 – 30 Seconds
Launchable	No
Part No.	OC 1030 CN 1031 CS 1032 Saf-Smoke™ 1033
Warranty	5 years from date of manufacture



ALL SPECIFICATIONS ARE AVERAGES AND SUBJECT TO CHANGE

The Tri-Chamber Flameless Grenade is designed for indoor use. This grenade's pyrotechnic contents are burned within an internal can that is one of three in this design. The internal combustion allows the chemical-laden smoke to be released through three (3) ports on the outer canister side while safely containing any of the fire-producing properties within the two internal canisters. The fuze is shrouded to further protect surrounding materials from the possibility of fire.

The Tri-Chamber Flameless Grenade can be used in crowd control as well as tactical deployment situations by Law Enforcement and Corrections, but was designed with the barricade situation in mind. Its applications in tactical situations are primarily to detect and/or dislodge barricaded subjects.

The purpose of the Tri-Chamber Flameless Grenade is to minimize the risks to all parties through pain compliance, temporary discomfort, and/or incapacitation of potentially violent or dangerous subjects.

The Tri-Chamber Flameless Grenade provides the option of delivering a pyrotechnic chemical device indoors, maximizing the chemicals' effectiveness via heat and vaporization, while minimizing or negating the chance of fire to the structure. The actual smoke and chemical content is minimal enough that oxygen displacement concerns and LCT is rarely reached. It is a viable option when chemical-laden powders or liquids are ineffective or inappropriate for the situation. As with all pyrotechnic carriers, contamination will be greater than that experienced with powders or liquids.

⚠ WARNING

This product can expose you to chemicals including Lead Salts and Hexavalent Chromium, which are known to the State of California to cause cancer, and Lead Salts, which are known to the State of California to cause birth defects or other reproductive harm. For more information, go to www.P65Warnings.ca.gov.

WARNING: THIS PRODUCT IS TO BE USED ONLY BY AUTHORIZED AND TRAINED LAW ENFORCEMENT, CORRECTIONS, OR MILITARY PERSONNEL. THIS PRODUCT MAY CAUSE SERIOUS INJURY OR DEATH TO YOU OR OTHERS. THIS PRODUCT MAY CAUSE SERIOUS DAMAGE TO PROPERTY. HANDLE, STORE AND USE WITH EXTREME CARE AND CAUTION. USE ONLY AS INSTRUCTED.

