

TRIPLE-CHASER® GRENADE CONTINUOUS DISCHARGE OC, CN, CS AND SAF-SMOKE™



**DEFENSE
TECHNOLOGY®**

PRODUCT SPECIFICATIONS	
Diameter	2.70 in / 6.9 cm
Length	6.50 in / 16.5 cm
Fuze	M201A1 Type
Active Agent	OC 1.06 oz / 30 g CN/CS 3.2 oz / 92 g
Discharge Time	20 – 30 Seconds
Launchable	Yes
Part No.	OC 1020 CN 1025 CS 1026 Saf-Smoke™ 1027
Warranty	5 years from date of manufacture

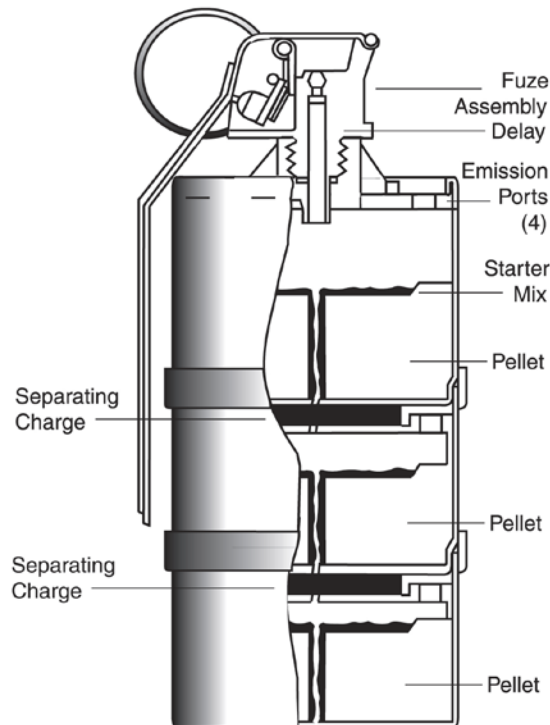
ALL SPECIFICATIONS ARE AVERAGES AND SUBJECT TO CHANGE

The Triple-Chaser® Grenade is a fast burning, medium volume canister. It is a pyrotechnic grenade consisting of three (3) separate canisters pressed together with separating charges between each section. When deployed, this grenade will separate into three (3) distinct sub-munitions spaced approximately 20 feet apart – allowing increased area coverage in a short period of time, from one deployment. Terrain and surface conditions can affect the distance of the separating sub-munitions.

Designed specifically for outdoor use in crowd management situations, the Triple-Chaser® utilizes the larger style canister, but is segmented into three (3) distinct sub-munitions. This device should be deployed in an underhand method that keeps the grenade body moving sideward towards the deployment site. This will assist in delivering the sub-canisters along a line, from left to right, well ahead of the grenadier. Its separating function and relatively quick burn time minimizes throwback potential. The device should be deployed utilizing wind advantage.

It should NOT be deployed onto rooftops, in crawl spaces, or indoors due to its fire-producing capability. Hand throw or launch. Launching of grenades will provide deploying officers additional stand-off distances. Affords good coverage for large outdoor areas.

In the smoke configuration, it can be utilized as a carrying agent (multiplier) for smaller OC, CN or CS munitions, or for concealing the movement of agency personnel. It may also be used as a distraction to focus attention away from other activities.



⚠ WARNING

This product can expose you to chemicals including Lead Salts and Hexavalent Chromium, which are known to the State of California to cause cancer, and Lead Salts, which are known to the State of California to cause birth defects or other reproductive harm. For more information, go to www.P65Warnings.ca.gov.

WARNING: THIS PRODUCT IS TO BE USED ONLY BY AUTHORIZED AND TRAINED LAW ENFORCEMENT, CORRECTIONS, OR MILITARY PERSONNEL. THIS PRODUCT MAY CAUSE SERIOUS INJURY OR DEATH TO YOU OR OTHERS. THIS PRODUCT MAY CAUSE SERIOUS DAMAGE TO PROPERTY. HANDLE, STORE AND USE WITH EXTREME CARE AND CAUTION. USE ONLY AS INSTRUCTED.



1855 South Loop Casper, WY 82601

www.defense-technology.com

800.347.1200

Safariland, LLC Rev. 06/20